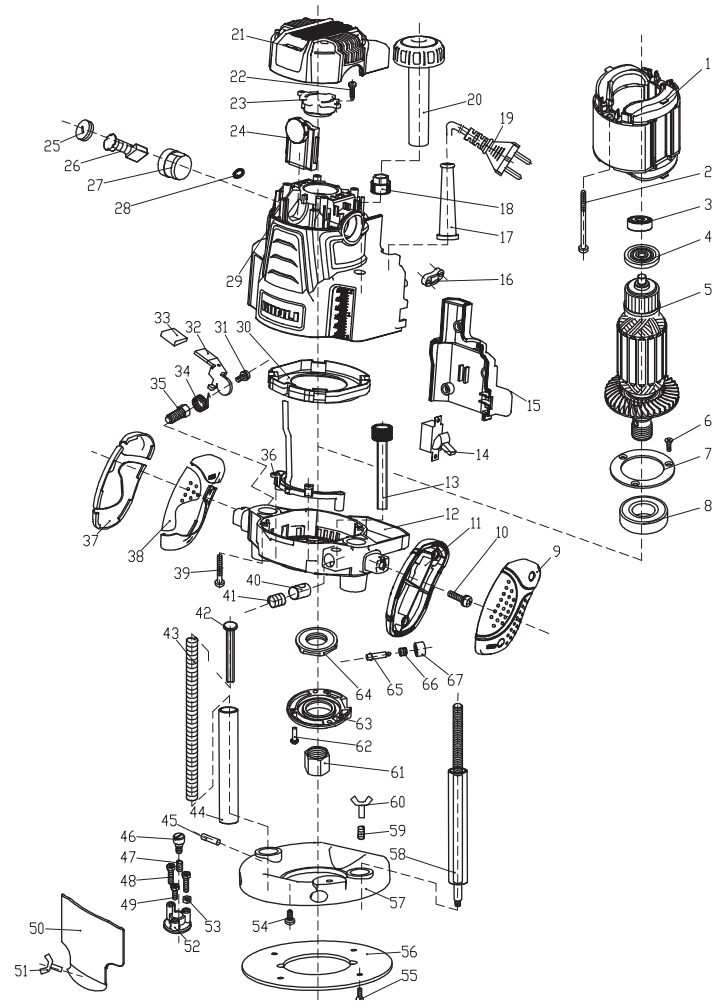


# EXPLODED VIEW



## The explosive figure list

NO	Name	QTY	NO	Name	QTY
1	Stator	1	36	Hex bolts	1
2	ScrewST5*72	2	37	LED	1
3	Bearing629-RS	1	38	Left handle cover	1
4	Insulation sheet	1	39	Left handle	1
5	Rotor	1	40	ScrewST5*30	4
6	ScrewM4*10	5	41	Copper pillar	1
7	Bearing pressure plate	1	42	Copper pillar spring	1
8	Bearing6205-RS	1	43	Plastic pole	1
9	Right handle cover	1	44	Guide pillar spring	1
10	ScrewM8*14	2	45	Guide pillar	1
11	Right handle	1	46	splitpin $\Phi 5 \times 32$	2
12	Head capsule	1	47	Fixed bolt	1
13	Knob	1	48	Spring	1
14	Switch	1	49	Hex screw M5*40	1
15	Side cover	1	50	Hex screw M5*16	1
16	Cable	1	51	Transparent block board	1
17	Cable sheath	1	52	Butterfly screw M5*8	1
18	Depth limit nut	1	53	Adjustment block	1
19	Cable	1	54	Hex nut M5	3
20	Height adjustment knob	1	55	Hex screw M5*28	1
21	Back cover	1	56	ScrewM5*10	2
22	ScrewST4*14	15	57	ScrewM5*10	4
23	Rear bearing seat	1	58	Baseplate	1
24	Speeder	1	59	Pedestal	1
25	Brush cover	2	60	Thread guide post	1
26	Carbon brush	2	61	Self locking spring	3
27	Brush holder	2	62	Butterfly screw M5X16	3
28	Buckle	2	63	Collet	1
29	Cloth line	1	64	Screw M4*12	2
30	Chassis	1	65	Front cover	1
31	Break wind ring	1	66	Clamp	1
32	ScrewM5*14	1	67	Self lock pin	1
33	Spanner	1	68	Self locking spring	1
34	Spanner cover	1	69	Self-locking nuts	1
35	Spring	1			